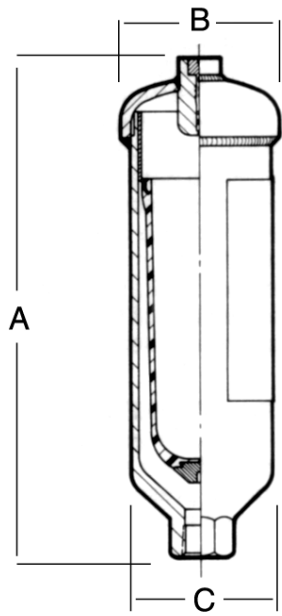


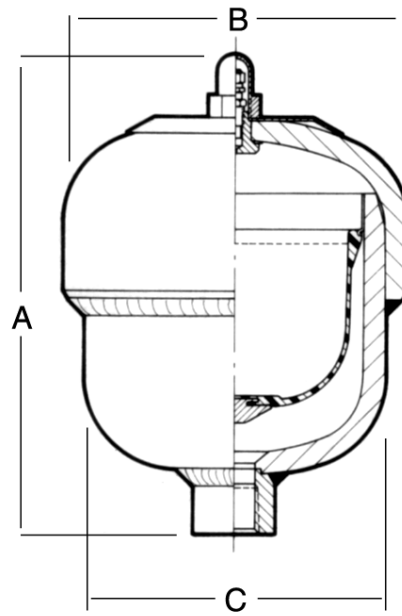
PULSATION DAMPENER

Myers

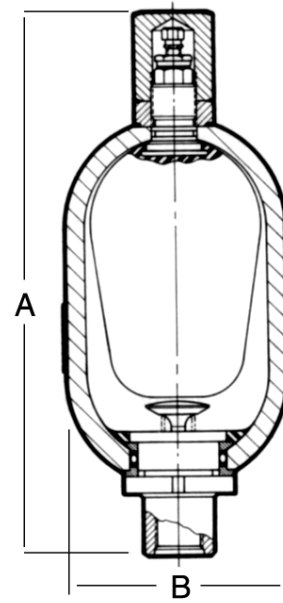
Pump Pulsation Control



(24977B004)



(24977B000 & 24977B001)



(24977B002)

MYERS

Part No.	Nominal Size	Pressure Rating Max.	Triplex Pump Models Flow Range	Gas Vol. Cu. In.	Prox. Dry Wt. - Lbs.	Dimensions Inches			Port	Repair Kit
						A	B	C		
24977B004	30 CU. IN.	2 000 psi	CXP18-20 to CXP30-12	30	4.25	10.14	3.1	2.71	1/2" NPTF	Non-Repairable
24977B001	1 Quart	3 500 psi	CXP5-35 to CXP14-24 DP55-28 to DP90-18	60	11.7	9.92	4.89	4.16	1/2" NPTF	Non-Repairable
24977B000	1/2 Gal.	3 000 psi	DP120-12	116	30.5	10.91	7.5	6.56	3/4" NPTF	Non-Repairable
24977B002	1 Quart	5 500 psi	DP28-55, DP40-38	60	17.0	12.25	4.83	N/A	3/4" SAE O-Ring Port	24975A000

