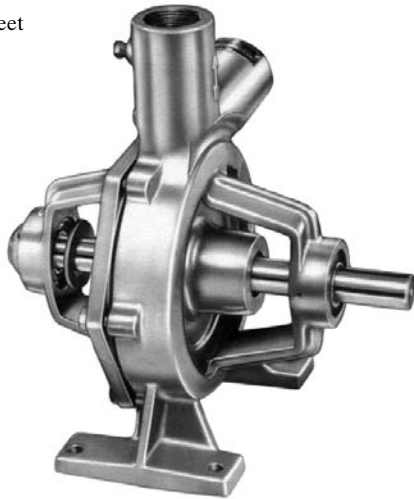


SINGLE-STAGE TURBINE PUMPS **Viking**



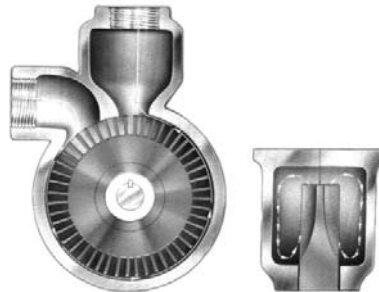
Series 800 Regenerative

- 35 GPM
- Heads to 650 feet
- 275 °C



- Low Capacity
- High pressure
- Clean Liquid applications

The motor shall be sized to prevent overloading at the highest head condition listed in the specifications.



1750 RPM
For 3500 RPM performance curves call Asybco

Capacity USGPM	Total Head In Feet																				
	10	20	30	40	50	60	70	80	100	120	130	140	160	180	200	220	240	260	280	300	350
2	C2 1/4	C2 1/4	C2 1/4	C2 1/4	C2 1/4	C2 1/4	C2 1/4	C2 1/4	C2 1/4	C3 1/2	C3 1/2	C12 3/4	C12 1	C12 1	C12 1	C12 1	C12 1	C12 1	C12 1 1/2	C12 1 1/2	C12 1 1/2
5	C2 1/4	C2 1/4	C2 1/4	C3 1/3	C3 1/3	C3 1/3	C3 1/3	C12 1/2	C12 3/4	C12 3/4	C12 3/4	C12 1	C12 1	C12 1	C12 1	C12 1	C12 1	C21 3	C21 3	C21 3	C21 5
10	C5 1/3	C5 1/2	C5 1/2	C5 3/4	C5 3/4	C5 3/4	C5 3/4	C5 1	C13 1	C13 1	C13 1 1/2	C13 1 1/2	C21 3	C21 3	C21 3	C21 3	C21 3	C21 5	C21 5	C21 5	C21 5
15	C5 1/3	C5 1/2	C5 1/2	C5 3/4	C5 3/4	C5 3/4	C5 3/4	C21 1	C21 2	C21 2	C21 2	C21 2	C21 3	C21 3	C21 3	C21 3	C22 5	C22 5	C22 5	C22 5	C22 5
20	C5 1/3	C5 1/2	C5 1/2	C5 3/4	C5 3/4	C21 1	C21 1	C21 1 1/2	C22 2	C22 2	C22 3	C22 3	C22 3	C22 3	C22 5	C22 5	C22 5	-	-	-	-
25	C5 1/3	C22 1	C22 1 1/2	C22 1 1/2	C22 1 1/2	C22 2	C22 2	C22 2	C22 3	C22 3	C22 3	C22 3	C22 3	C22 3	-	-	-	-	-	-	-
30	C22 3/4	C22 1	C22 1 1/2	C22 1 1/2	C22 1 1/2	C22 2	C22 2	C22 2	-	-	-	-	-	-	-	-	-	-	-	-	-

VIKING

SINGLE-STAGE TURBINE PUMPS **Viking**

VICAN PUMPS • Series 830

Low to medium flows at elevated pressures

Boiler Horse Power	Feed Water GPM Required	Pump Capacity GPM
15	1.0	3.0
30	2.0	6.0
50	3.5	10.0
75	5.1	15.0
100	7.0	20.0
150	10.0	30.0
200	14.0	40.0
300	21.0	48.0
400	28.0	56.0

