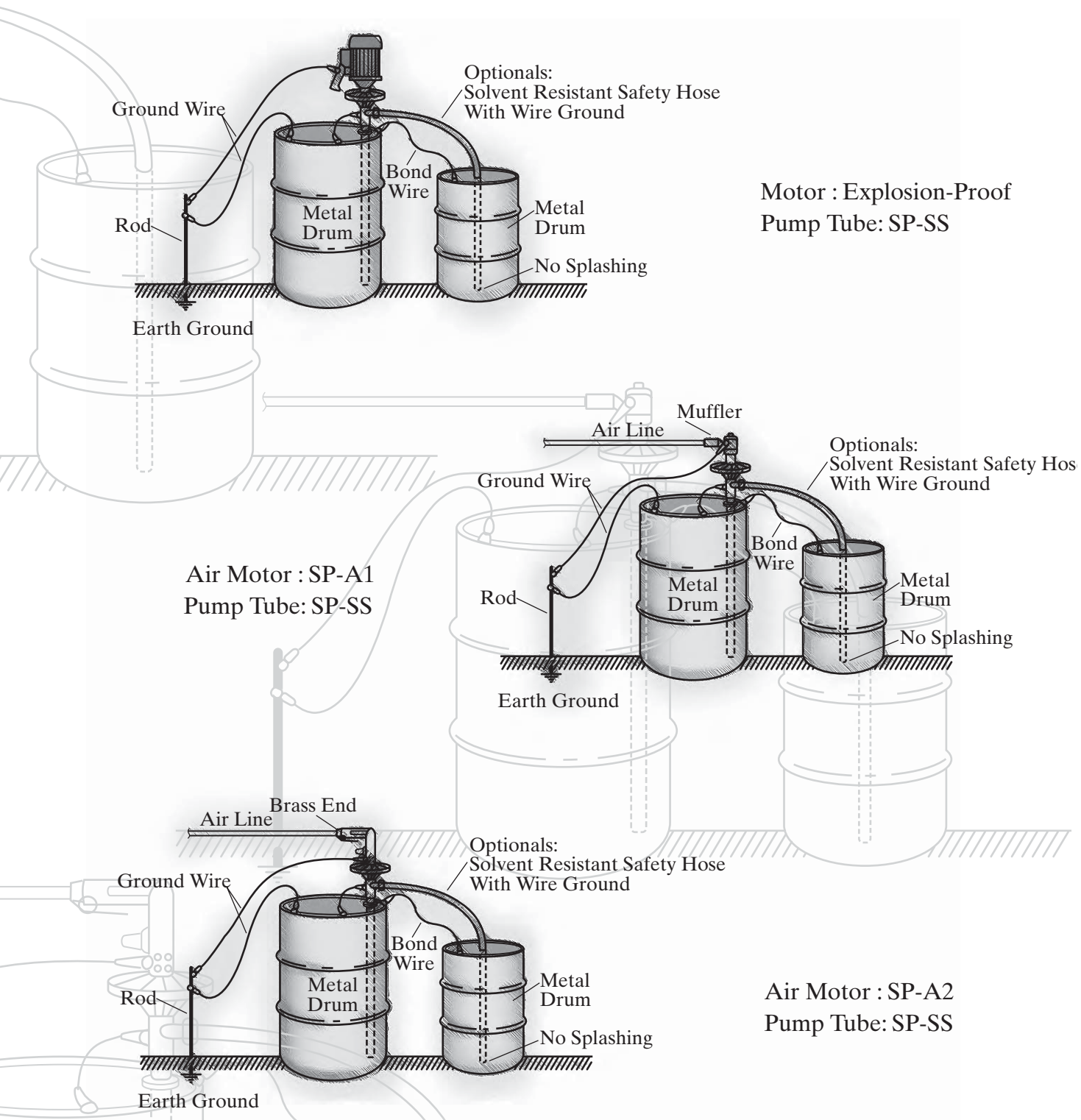




POMPE DE TRANSFERT ■ DRUM PUMP

ASYBCO



SEAL-LESS DRUM CONTAINER PUMPS **Standard**



GENERAL FEATURES FOR ALL PUMPS

- C276-316SS- not substitutes •
- On carbon bushings we use Pure Carbon 6038C •
- the top rated chemically resistant carbon available -
- Drop-in cartridge brush system to end the maintenance •
nightmare of brush replacement
- Plastic housing for greater chemical resistance •
- Chemical transfer •



FOR HIGHLY CORROSIVE MATERIALS



MOTOR MODEL SP-280P

Open Drip Proof
115V/1/60 - 825 Watts
220V/1/50 - 825 Watts

- Thermally protected. Manual Reset for safety.
- Drop-in cartridge brush system.
- Open motor with Valox housing for chemical resistance.

- **115V models :** SJT3 wire cord with model plug
- **220V models :** IP-44 enclosure, CE listed, Har Ho7 cable, 5m harmonized cord w/o plug

- **Weight :** 7.5 lb. (3.4 kg)
- **Max. specific gravity :** 1.8
- **Max. viscosity :** 750 centipoise

- 30 gpm (usgpm)
- 35 Head feet

Not suitable for flammables

MOTOR MODEL SP-ENC

TEFC
115V/1/60 - 825 Watts
220V/1/50 - 825 Watts

- Thermally protected. Manual reset for safety
- Drop in cartridge brush system
- Totally enclosed fan cooled for use in corrosive environments
- Blue anodized housing for protection from fumes

- **115V models** SJT3 wire cord with molded plug
- **220V models :** IP-54 enclosure, CE listed, Har Ho7 cable 5m harmonized cord w/o plug.

- **Weight :** 9 lb. (4 kg)
- **Max. specific gravity :** 1.8
- **Max. viscosity :** 750 centipoise

- 30 usgpm
- 35 Heat feet

Not suitable for flammables

PUMP MODEL SP-PP-39

- Seal-less design - Polypropylene construction.
- Shaft C-276 - 16 rms finish.
- Carbon bushing pure Carbon 6038C.
- Viton v-seal.

- **Sizes :** 27" small containers 39" drums
47" tanks 60" totes
72" shipping containers 1" or 3/4" hose barb.

- All pumps include 1 SS hose clamp, barrel adaptor for fume containment and wall hanger for proper storage.

Not suitable for flammables

PUMP MODEL SP-PVDF-39

- Seal-less design - Natural PVDF construction.
- Shaft-C-276 to 16 RMS finish.
- Carbon bushing Pure Carbon 6038C.
- TFE v-seal

- **Sizes :** 27" small containers 39" drums
47" tanks 1" or 3/4" hose barb

- All pumps include 1 SS hose clamp, barrel adaptor storage.
- Ideal for ultra pure materials.

Not Suitable for Flammables

STANDARD



Standard SEAL-LESS DRUM CONTAINER PUMPS

Pumping Flammables

PUMP MODEL SP-SS-39

- Seal-less design - 316 SS construction
- Carbon bushing Pure Carbon 6038C
- Double Viton sealed ball bearings
- Shaft 316 SS-1 rms finish
- TFE impeller and elastomers

Available in

- 27" carboys
- 39" drums
- 72" shipping containers
- 47" tanks
- 60" tote tanks
- Unit includes ground wires and bonding wire with heavy-duty battery clamps for proper ohm resistance, hose clamp and wall hanger for proper storage.
- Housings are anodized for chemical protection and color coded for safety



MOTOR MODEL: SP-A1

Pneumatic Drive

- 100 psi maximum inlet pressure
- Air consumption 22 SCFM at 92 psi
- 1/8" air connection
- Air line filter
- pressure regulator and automatic oiler recommended
- External muffler

- **Weight :** 2.5 lb (1kg)
- **Max. Specific gravity :** 1.75
- **Max. viscosity :** 250 centipoise

- For pumping of flammables, use in conjunction with SP-SS pump tube only.
- Do not use plastic tubes.



MOTOR MODEL SP-A2

Pneumatic Drive

- Plastisol coated for easier handling
- 100 psi maximum inlet pressure
- Air consumption 28 SCFM at 90 psi
- 3/8" air connection
- Air line filter, pressure regulator and automatic oiler recommended.
- External muffler

- **Weight :** 3 lb (1kg)
- **Max. Specific gravity :** 1.75
- **Max. viscosity :** 450 centipoise

- 30 usgpm
- 30 Head feet
- Read warning below when pumping flammables.

STANDARD

HIGH VISCOSITY DRUM/CONTAINER PUMPS **Standard**



PUMP MODEL SP-700

- Progressive cavity design.
- SS-316 construction.
- Viscosity up to 100 000 SSu (40 00 mPas).
- Liquids with low or high viscosity, aggressive or neutral, with or without solids and fibers.
- Temperatures up to 284°F (140°C).
- Buna-N, Viton and PTFE stator construction for complete versatility.
- Flow rates to 6.5 gpm (25 lpm).
- Pressure to 174 psi (12 bar).
- Available in 39" and 43" lengths.

Viscous Oils and Greases			
Model	Length	Flow Rate	Pressure
SP-700 - 12.1	39"	3 gpm (12l Lpm)	87 psi (6 bar)
SP-700 - 12.2	43"	3 gpm (12 Lpm)	174 psi (12 bar)
SP-700 - 25.1	39"	6.5 gpm (25 Lpm)	87 psi (6 bar)
SP-700 - 25.2	43"	6.5 gpm (25 Lpm)	174 psi (12 bar)

Motor Drives

- **SP-400 :** Explosion-proof motor (Eex d II A T5)
(220V/1/50 - 60Hz)
Explosion-proof motor (UL Group B,C,D)
(120V/1/60 Hz)

Three Phase Motor

- 0.37 up to 1.1 kW 230/400 50 Hz
- IP 54 or Eex e II T3, 900 or 700 min-1

Three-Phase Gear Motors

- 0.37 up to 1.1kW
- Speed according to the application requirements.

- **Discharge :** 1 1/2" (38.1 mm)
- **Tube diameter :** 2" (54 mm)
- **Shipping weight :** 20 lb (9 kg) for all units

HYDRA-CELL



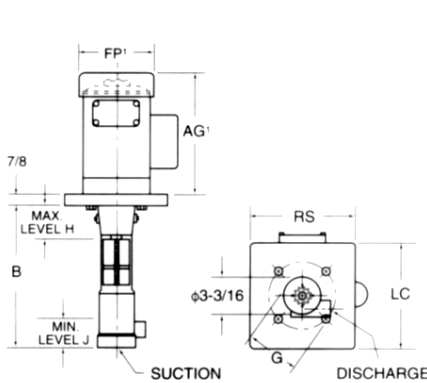
Standard SEAL-LESS VERTICAL IMMERSION CENTRIFUGAL PUMPS

MODEL PUMP OL SERIES

- Applications-In/Out of tank pumping and filtration, fume scrubbing wet process, sump draining and waste treatment.
- Corrosion resistant vertical, submersible pumps.
- Cantilevered sleeved SS shaft eliminates bearings and seals, resulting in an indefinite run-dry capability.
- To 80 gpm or 68 ft TDH @ 60 hz (252 LPM or 14.4 m TDH @ 50 hz).
- OL 75, 100, 125 use standard 56C, TEFC, 3450 RPM motors.
- Polypropylene and PVDF materials of construction for complete versatility and chemical resistance.
- Vapor seal between the rotating shaft and support column protects the motor.
- Compound impeller prevents liquid from rising in the column, event at Max. TD.
- Models include PP mounting plate.

MODEL OL 50V (PP) (PVDF) AND OL 75V (PP) (PVDF)

Dimensions (inches)								
Model	B	G	RS	LC	AG ¹	FP ¹	H	J
OL 50V	9 3/8	4 3/16	5	7 3/4	5 15/16	4	1 1/2	2 1/4
OL 75V	12 5/16	4 5/8	9	9	8 1/4	6 1/8	3 1/16	2 3/4



Model	Suct.	Disch.
OL 50V	1" NPT	1/2" NPT
OL 75V	1" NPT	3/4" NPT

Motor Sizes

- OL 50V pump uses a 1/5 HP motor
- OL 75V pump uses a 1/3 HP motor

Available in :

(OL 75V, OL 100V and OL 125V only)

- Single phase - 115v/230v
- Three phase - 230v/460v



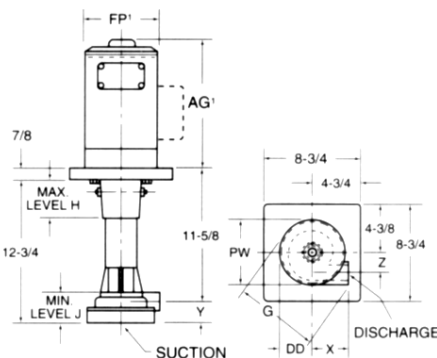
Shipping Weight

- OL 50V 12 lb (5.4 kg)
- OL 75V 37 lb (16.8 kg)

- 22 USGPM
- 21 head feet

MODELS OL 100V (PP) (PVDF) AND OL 125V (PP) (PVDF)

Model	B	DD	PW	X	Y	Z	H	J	AG ¹	FP ¹
OL 100V	7 3/8	3	5 7/8	3 1/2	2	1 7/8	4 1/8	2 13/16	11 1/4	7 1/4
OL 125V	9 1/4	3 13/16	7 5/8	4	2	2 5/8	4 1/8	3 5/8	12	7 1/4



Model	Suct.	Disch.
OL 100V	1 1/4" NPT	1" NPT
OL 125V	1 1/2" NPT	1 1/4" NPT

Motor Sizes

- OL 100V pump uses a 3/4 HP motor
- OL 125V pump uses a 2 HP motor

Available in :

- Single phase - 115v/230v
- Three phase - 230v/460v



Shipping Weight

- OL 100V 41 lb (17.8 kg)
- OL 125V 37 lb (23.5 kg)

- 60 USGPM
- 70 head feet

STANDARD