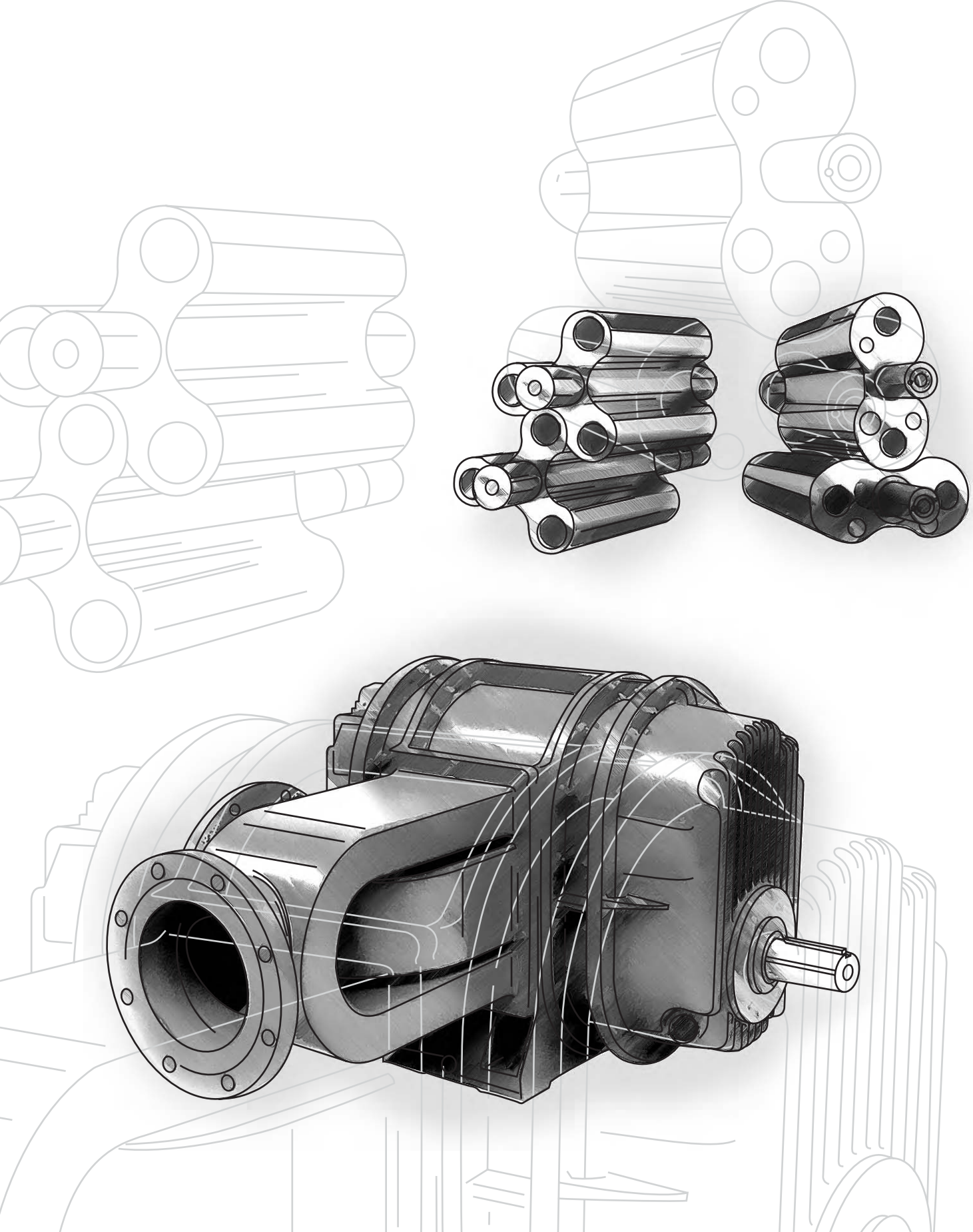




**SURPRESSEURS  
BLOWERS**



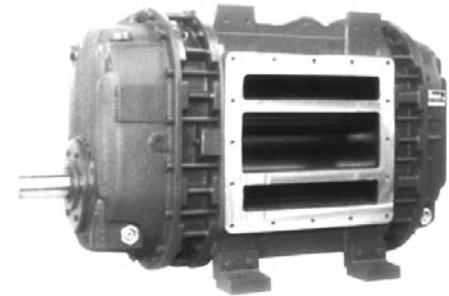
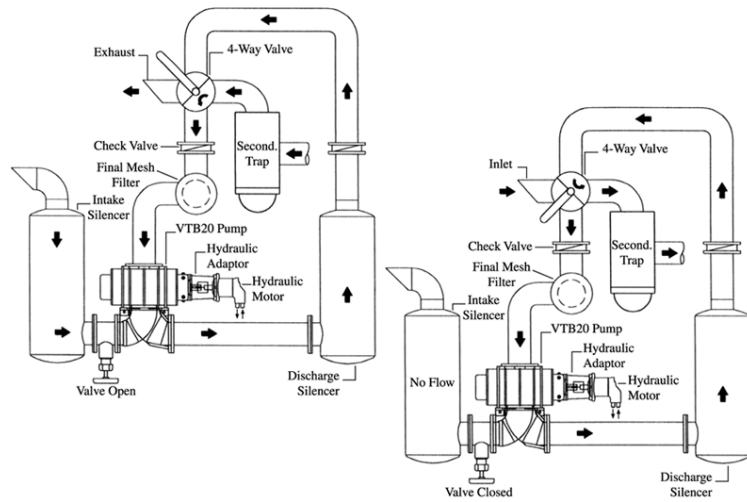
**ASYBCO**

# AIR INJECTION BLOWERS

# Hibon



## SIAV / VTB Series



# HIBON

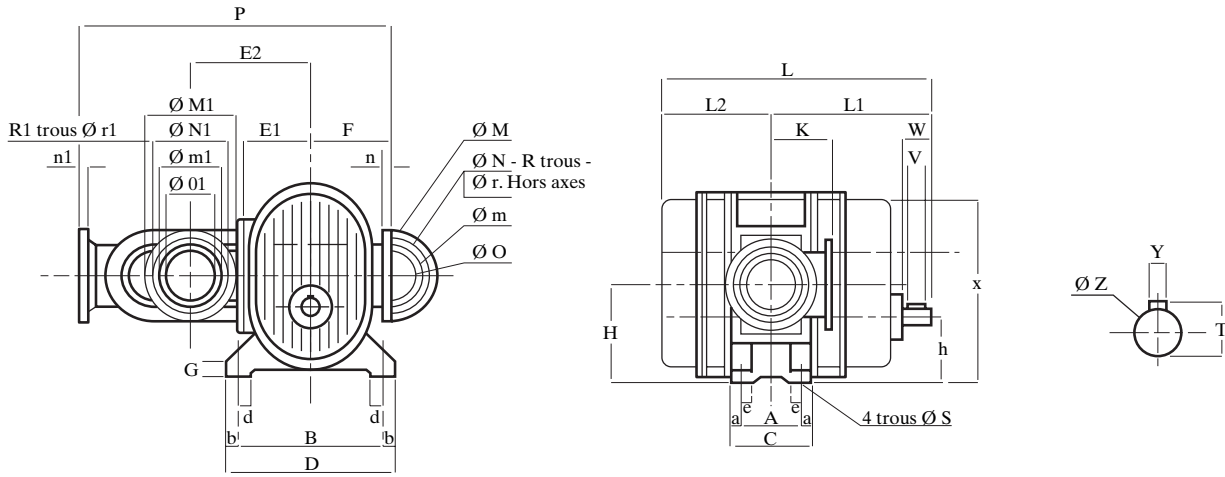
| Model Capacity   | Speed RPM | 3" HG |      | 6" HG |      | 9" HG |      | 12" HG |      | 15" HG |      | 18" HG |      | 21" HG |     | 24" HG |         | 27" HG |     | 28" HG |     |
|--|-----------|-------|------|-------|------|-------|------|--------|------|--------|------|--------|------|--------|-----|--------|---------|--------|-----|--------|-----|
|  |           | CFM   | BHP  | CFM   | BHP  | CFM   | BHP  | CFM    | BHP  | CFM    | BHP  | CFM    | BHP  | CFM    | BHP | CFM    | BHP     | CFM    | BHP | CFM    | BHP |
| <b>SIAV 6</b><br>840 cfm<br>Bi-Lobe<br>PTO Drive                                     | 3600      | 782   | 10   | 757   | 15   | 735   | 17   | 711    | 23   | 688    | 29   | 650    | 35   | 586    | 40  | 434    | 46      | 106    | 51  | -      | -   |
|  | 3300      | 713   | 9.3  | 688   | 14   | 666   | 16   | 642    | 21   | 618    | 28   | 583    | 32   | 519    | 37  | 364    | 42      | 78     | 47  | -      | -   |
|  | 3000      | 643   | 8.4  | 619   | 13   | 596   | 14   | 573    | 19   | 550    | 25   | 512    | 29   | 450    | 33  | 293    | 38      | -      | -   | -      | -   |
|  | 2700      | 574   | 7.6  | 550   | 12   | 527   | 13   | 504    | 17   | 480    | 23   | 445    | 27   | 381    | 31  | 226    | 34      | -      | -   | -      | -   |
|  | 2400      | 505   | 6.8  | 481   | 10   | 458   | 11   | 434    | 15   | 410    | 20   | 374    | 24   | 311    | 27  | 155    | 31      | -      | -   | -      | -   |
| <b>VTB 810</b><br>860 cfm<br>Tri-Lobe<br>PTO Drive                                   | 3300      | 815   | 10   | 791   | 15   | 769   | 20   | 748    | 25   | 720    | 31   | 662    | 36   | 616    | 41  | 492    | 47      | 103    | 52  | -      | -   |
|  | 3000      | 737   | 8    | 713   | 14   | 691   | 18   | 667    | 23   | 641    | 28   | 604    | 33   | 540    | 38  | 383    | 42      | 25     | 47  | -      | -   |
|  | 2700      | 858   | 8    | 634   | 12   | 612   | 17   | 588    | 21   | 563    | 25   | 525    | 29   | 461    | 34  | 305    | 38      | X      | -   | -      | -   |
|  | 2400      | 580   | 7    | 556   | 11   | 534   | 15   | 510    | 18   | 484    | 22   | 447    | 26   | 382    | 30  | 226    | 34      | -      | -   | -      | -   |
| <b>VTB 20 Becomes VTB 820</b>  |           |       |      |       |      |       |      |        |      |        |      |        |      |        |     |        |         |        |     |        |     |
| <b>VTB 820</b><br>1400 cfm<br>Tri-Lobe<br>PTO Drive                                  | 3400      | 1312  | 13   | 1272  | 21   | 1235  | 29   | 1197   | 37   | 1153   | 47   | 1091   | 56   | 984    | 64  | 723    | 73      | 126    | 82  | -      | -   |
|  | 3200      | 1231  | 12   | 1190  | 20   | 1153  | 27   | 1115   | 35   | 1071   | 44   | 1009   | 52   | 902    | 60  | 641    | 68      | 44     | 77  | -      | -   |
|  | 3000      | 1149  | 11   | 1108  | 18   | 1071  | 26   | 1033   | 33   | 989    | 42   | 927    | 49   | 820    | 57  | 559    | 64      | -      | 72  | -      | -   |
|  | 2800      | 1067  | 10   | 1027  | 17   | 989   | 24   | 951    | 31   | 907    | 39   | 845    | 46   | 738    | 53  | 478    | 60      | -      | -   | -      | -   |
|  | 2600      | 985   | 9    | 945   | 16   | 908   | 22   | 869    | 29   | 825    | 36   | 763    | 43   | 656    | 49  | 396    | 56      | -      | -   | -      | -   |
| 2200   | 821       | 8     | 781  | 13    | 744  | 19    | 705  | 24     | 661  | 30     | 599  | 36     | 492  | 41     | 232 | 47     | X       | -      | -   | -      | -   |
| <b>SIAV 25 Becomes SIAV 822 (Cusco 2127) - PTO Drive</b>                             |           |       |      |       |      |       |      |        |      |        |      |        |      |        |     |        |         |        |     |        |     |
| <b>SIAV 25</b><br>2100 scfm<br>Bi-Lobe   | 2300      | 1970  | 14   | 1930  | 28   | 1885  | 42   | 1845   | 56   | 1810   | 69   | 1730   | 82   | 1625   | 94  | 1349   | 108     | 700    | 120 | -      | -   |
|  | 2000      | 1710  | 12   | 1665  | 25   | 1620  | 37   | 1580   | 49   | 1536   | 60   | 1496   | 71   | 1353   | 82  | 1077   | 94      | 458    | 104 | -      | -   |
|  | 1750      | 1480  | 10   | 1435  | 21   | 1395  | 32   | 1355   | 44   | 1310   | 52   | 1243   | 63   | 1130   | 72  | 851    | 82      | 215    | 91  | -      | -   |
|  | 1500      | 1255  | 8    | 1215  | 18   | 1170  | 27   | 1130   | 36   | 1088   | 46   | 1020   | 54   | 907    | 62  | 628    | 70      | -      | -   | -      | -   |
|  | 1250      | 1035  | 7    | 985   | 15   | 945   | 22   | 905    | 30   | 862    | 37   | 798    | 44   | 681    | 51  | 406    | 58      | -      | -   | -      | -   |
| 1000   | 806       | 5.5   | 770  | 12    | 725  | 18    | 685  | 24     | 639  | 31     | 572  | 36     | 459  | 41     | 180 | 47     | -       | -      | -   | -      |     |
| <b>SIAV 822</b><br>2650 cfm<br>Tri Lobe  | 3000      | 2430  | 21   | 2369  | 37   | 2352  | 52   | 2313   | 67   | 2269   | 83   | 2206   | 98   | 2098   | 114 | 1836   | 131     | 1234   | 147 | -      | -   |
|  | 2750      | 2221  | 19   | 2180  | 34   | 2143  | 48   | 2104   | 62   | 2080   | 76   | 1997   | 90   | 1889   | 105 | 1627   | 120     | 1025   | 135 | -      | -   |
|  | 2450      | 1970  | 17   | 1929  | 30   | 1892  | 42   | 1853   | 55   | 1809   | 68   | 1746   | 80   | 1638   | 93  | 1376   | 107     | 774    | 120 | -      | -   |
|  | 2150      | 1718  | 15   | 1678  | 26   | 1641  | 37   | 1602   | 48   | 1558   | 59   | 1495   | 70   | 1387   | 82  | 1125   | 94      | 523    | 105 | -      | -   |
|  | 1850      | 1467  | 13   | 1427  | 23   | 1390  | 32   | 1351   | 42   | 1307   | 51   | 1244   | 60   | 1136   | 71  | 874    | 81      | 271    | 91  | -      | -   |
| 1600   | 1258      | 11    | 1218 | 20    | 1180 | 28    | 1141 | 36     | 1097 | 44     | 1035 | 52     | 927  | 61     | 684 | 70     | 62      | 78     | -   | -      |     |
| <b>SIAV 50 Becomes SIAV 840 (Cusco 3127) - Transfer case Drive</b>                   |           |       |      |       |      |       |      |        |      |        |      |        |      |        |     |        |         |        |     |        |     |
| <b>SIAV 50</b><br>3170 scfm<br>Bi-lobe   | 1800      | 3020  | 22   | 2916  | 44   | 2875  | 65   | 2800   | 87   | -      | -    | -      | -    | -      | -   | -      | -       | -      | -   | -      |     |
|  | 1600      | 2675  | 20   | 2595  | 39   | 2520  | 58   | 2450   | 76   | 2384   | 96   | 2271   | 114  | 2080   | 131 | 1614   | 149     | 540    | 166 | -      | -   |
|  | 1500      | 2495  | 18   | 2420  | 36   | 2350  | 54   | 2270   | 72   | 2207   | 91   | 2094   | 107  | 1904   | 123 | 1437   | 139     | 370    | 156 | -      | -   |
|  | 1200      | 1965  | 15   | 1890  | 29   | 1825  | 43   | 1750   | 58   | 1681   | 72   | 1568   | 86   | 1377   | 98  | 911    | 111     | -      | -   | -      | -   |
|  | 1000      | 1615  | 12   | 1535  | 25   | 1460  | 36   | 1404   | 48   | 1328   | 60   | 1218   | 71   | 1024   | 82  | 561    | 92      | -      | -   | -      | -   |
|  | 800       | 1275  | 10   | 1190  | 20   | 1110  | 28   | 1060   | 38   | 978    | 48   | 865    | 58   | 675    | 66  | 208    | 74      | -      | -   | -      | -   |
| <b>SIAV 840</b><br>3800 scfm<br>Tri-Lobe   | 2600      | 3649  | 32   | 3577  | 56   | 3510  | 80   | 3439   | 104  | 3377   | 120  | 3269   | 144  | 3083   | 168 | 2632   | 192     | 1596   | 218 | X      | 225 |
|  | 2340      | 3284  | 29   | 3219  | 50   | 3159  | 72   | 3095   | 93   | 3039   | 108  | 2942   | 129  | 2775   | 151 | 2369   | 172     | 1436   | 196 | -      | -   |
|  | 2165      | 3013  | 26   | 2940  | 46   | 2873  | 66   | 2802   | 86   | 2739   | 100  | 2630   | 120  | 2443   | 140 | 1989   | 162     | 947    | 186 | -      | -   |
|  | 1850      | 2542  | 23   | 2464  | 40   | 2391  | 57   | 2314   | 74   | 2246   | 85   | 2129   | 102  | 1926   | 119 | 1435   | 136     | 309    | 153 | -      | -   |
|  | 1410      | 1895  | 17   | 1814  | 30   | 1738  | 43   | 1658   | 56   | 1588   | 65   | 1466   | 78   | 1257   | 91  | 748    | 103     | -      | -   | -      | -   |
|  | 800       | 1023  | 10   | 951   | 17   | 884   | 25   | 814    | 32   | 751    | 37   | 643    | 44   | 457    | 52  | 6      | 59      | X      | -   | -      | -   |
| <b>SIAV 100 • 701 • 702 (Cusco 4527) Replaced by SIAV 8702 - Transfer Case Drive</b> |           |       |      |       |      |       |      |        |      |        |      |        |      |        |     |        |         |        |     |        |     |
| <b>SIAV 8702</b><br>5250 cfm<br>Tri-Lobe   | 2000      | 4997  | 44   | 4927  | 74   | 4863  | 105  | 4796   | 135  | 4721   | 171  | 4613   | 202  | 4427   | 234 | 3976   | 267     | 2940   | 300 | X      | 331 |
|  | 1800      | 4483  | 40   | 4414  | 67   | 4350  | 94   | 4283   | 122  | 4207   | 154  | 4099   | 182  | 3913   | 211 | 3462   | 241     | 2427   | 271 | -      | -   |
|  | 1600      | 3970  | 35   | 3900  | 60   | 3836  | 84   | 3769   | 108  | 3693   | 137  | 3585   | 162  | 3400   | 187 | 2949   | 214     | 1913   | 241 | -      | -   |
|  | 1400      | 3456  | 31   | 3387  | 52   | 3322  | 73   | 3255   | 95   | 3180   | 120  | 3072   | 142  | 2886   | 164 | 2435   | 187     | 1400   | 211 | -      | -   |
|  | 1200      | 2942  | 26   | 2873  | 45   | 2809  | 63   | 2742   | 81   | 2666   | 103  | 2558   | 121  | 2372   | 140 | 1921   | 160     | 886    | 181 | -      | -   |
| 800  | 1915      | 18    | 1846 | 30    | 1781 | 42    | 1714 | 54     | 1639 | 68     | 1531 | 81     | 1345 | 94     | 894 | 107    | bl. off | 120    | -   | -      |     |



**Hibon**

**BLOWERS**

SIAV Series

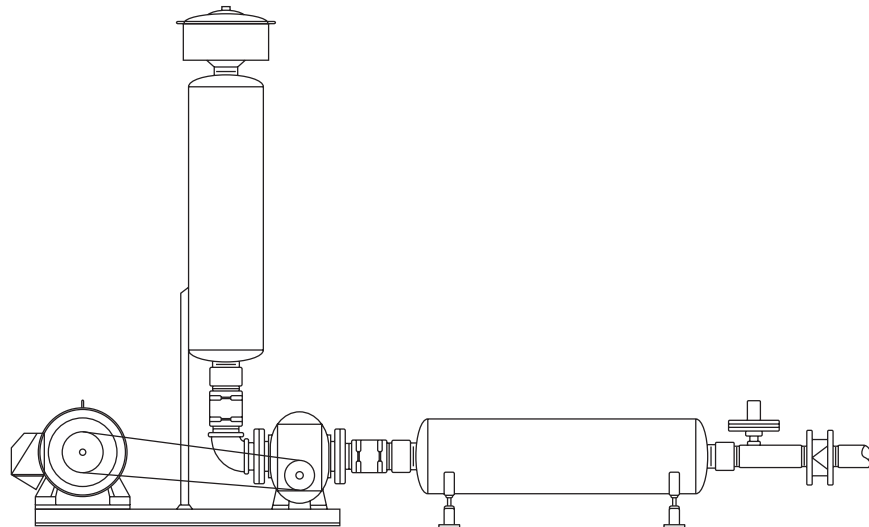


| Type Machine | A   | a    | B   | b  | C   | D   | d    | E1  | E2  | e  | F   | G  | H     | h   | K   | L    | L1  | L2  | Poids (kg) Avec Collecteur |
|--------------|-----|------|-----|----|-----|-----|------|-----|-----|----|-----|----|-------|-----|-----|------|-----|-----|----------------------------|
| S.I.A.V. 6   | 125 | 32.5 | 305 | 30 | 190 | 365 | 62.5 | 150 | 295 | 65 | 200 | 25 | 227.5 | 160 | 210 | 641  | 381 | 260 | 180                        |
| S.I.A.V. 25  | 200 | 45   | 460 | 40 | 290 | 540 | 80   | 230 | 440 | 87 | 270 | 40 | 343.5 | 235 | 270 | 952  | 573 | 379 | 575                        |
| S.I.A.V. 50  | 270 | 50   | 540 | 35 | 370 | 610 | 80   | 280 | 520 | 95 | 340 | 40 | 420   | 285 | 340 | 1111 | 657 | 454 | 1150                       |

| Type Machine | M   | m   | N   | n  | O   | M1  | m1  | N1  | n1 | O1  | P    | RØr   | S  | T    | V   | W   | X   | Y  | Zm6 | Poids (kg) Avec Collecteur |
|--------------|-----|-----|-----|----|-----|-----|-----|-----|----|-----|------|-------|----|------|-----|-----|-----|----|-----|----------------------------|
| S.I.A.V. 6   | 250 | 184 | 210 | 24 | 125 | 250 | 186 | 210 | 22 | 125 | 550  | 8Ø18  | 18 | 41   | 70  | 80  | 445 | 10 | 38  | 140                        |
| S.I.A.V. 25  | 340 | 268 | 295 | 25 | 200 | 340 | 268 | 295 | 24 | 200 | 1095 | 8Ø22  | 20 | 69   | 90  | 120 | 672 | 18 | 65  | 483                        |
| S.I.A.V. 50  | 395 | 320 | 350 | 24 | 250 | 395 | 320 | 350 | 26 | 250 | 1330 | 12Ø22 | 27 | 74.5 | 120 | 140 | 815 | 20 | 70  | 925                        |

**Asybc**

**BULK MATERIAL HANDLING**



HIBON

ASYBCO