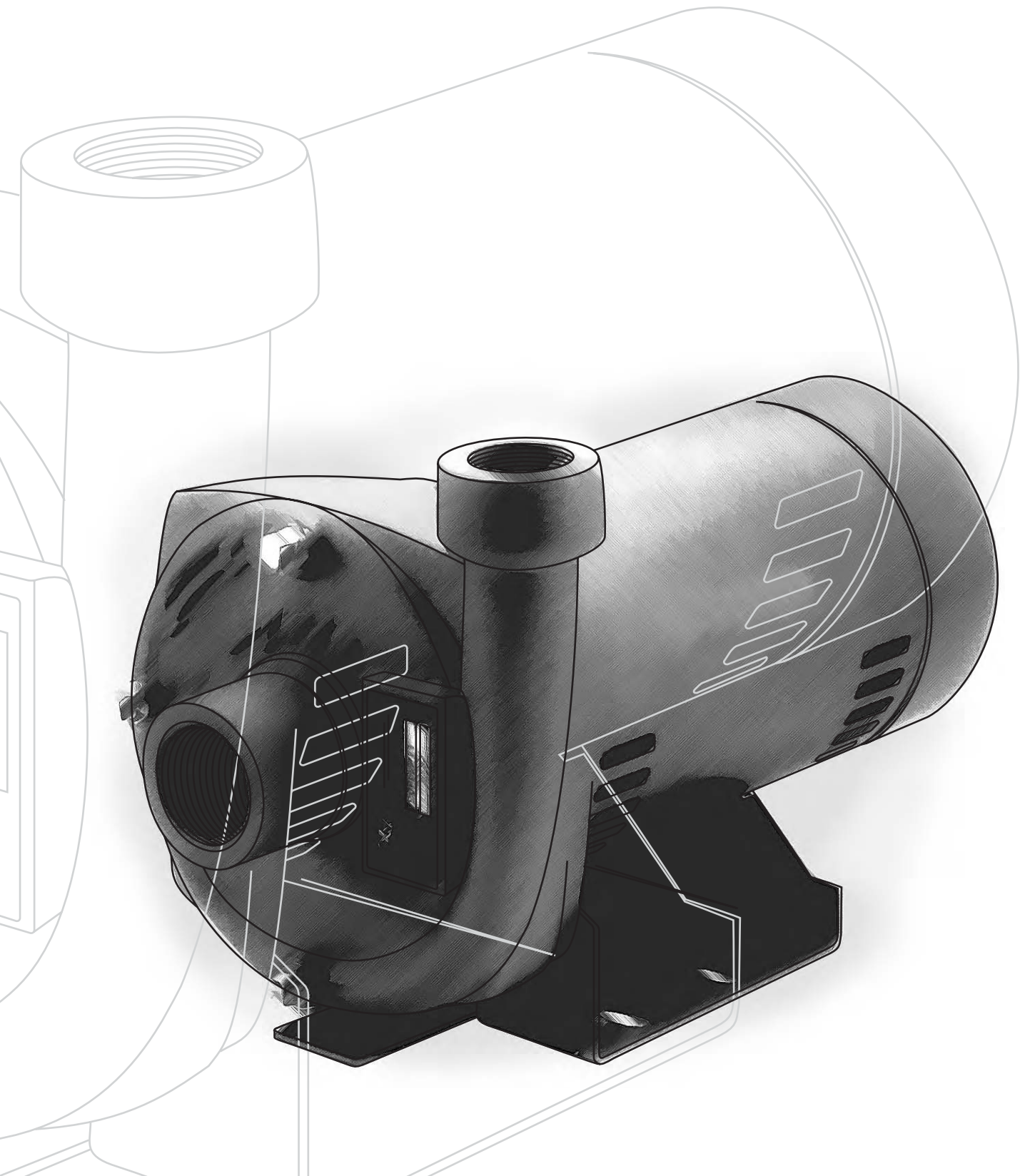




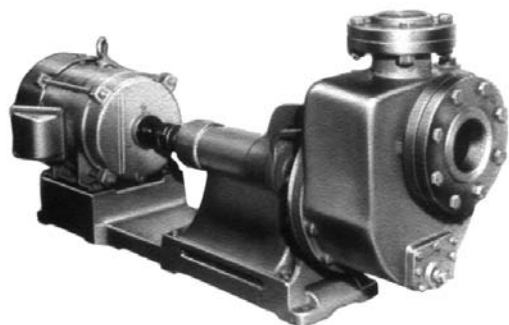
POMPE CENTRIFUGE CENTRIFUGAL PUMP



ASYBCO

SELF-PRIMING CENTRIFUGAL PUMP Viking

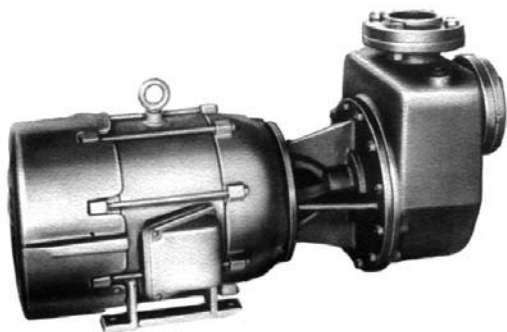
Series 660 • Series 680



SERIES 660

Base mounted

30 to 700 GPM •
Heads to 260 feet •
sizes 3" and 4" •



SERIES 680

Close coupled

VIKING PUMPS



Viking END SUCTION CENTRIFUGAL PUMP

Series 540

- Heads to 250 feet (76.20 meters)
- 250 °F (120 °C)
- 1500 USGPM (5700 LPM)

IMPELLER

Is of non-clogging type with extra heavy vanes. Semi-open design permits passing of foreign material and the handling of clean or dirty liquids. Impeller is statically and hydraulically balanced.

SHAFT

High tensile steel accurately machined to ensure proper fit of impeller and bearings. Ample diameter prevents deflection at all operating speeds.



SHAFT ADJUSTMENT

Axial shaft adjustment permits impeller to be adjusted for end clearance, maintaining pumping efficiency at all times. Shaft adjusting nut prevents any forward axial movement of impeller during pump operation.

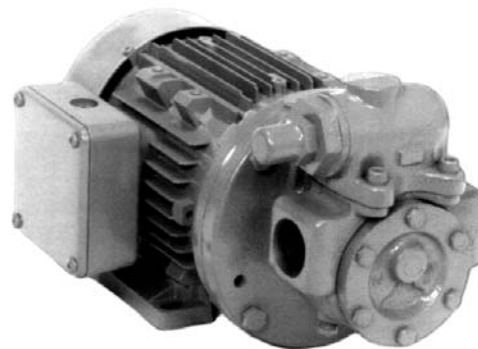
PACKING GLAND

Multi-ring stuffing box.

VIKING PUMPS

Viking VICAN PUMP

Series 90M and 90L
Close Coupled Pumps



- Available in 5 sizes
- Capacities of 5 to 30 USGPM (22.5 to 135 LPM)
- Discharge pressure : 50 psi (345 kpa) series 90L (lip seal)
100 psi (690 kpa) series 90M (Mechanical Seal)
- Temperatures : to 350°F
- Viscosities : to 2500 ssu

Series 90M and 90L Close Coupled Pumps are ideal for applications requiring compact pumping equipment such as engine, compressor, gear box lubrication service, fuel transfer, filter service, general circulation of most products to 2500 ssu viscosity at synchronous motor speeds of 1200 rpm and 750 ssu at speeds of 1800 rpm.

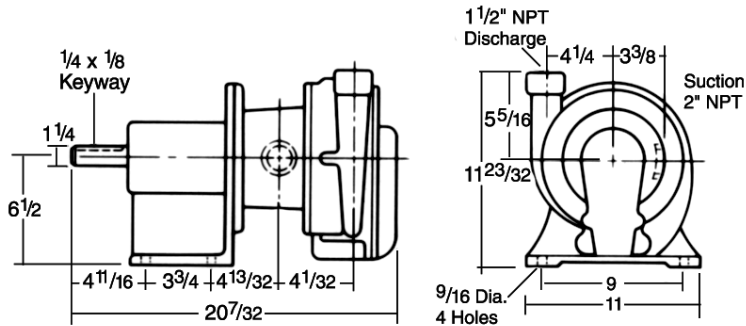
All models have 180° ports and are available with lip seal or mechanical seal arrangement.

TWO-STAGE CENTRIFUGAL PUMPS Myers

Rugged and Versatile



Catalog No.	Engr. No.	Standard Impeller Dia.	Approx. Ship Wt. Lbs.
12C-5	15034E14	4 11/16"	125
12CI-5	15034E34		
12C-7	15034E13	5 5/16"	125
12CI-7	15034E33		
12C-10	15034E12	5 7/8"	125
12CI-10	15034E32		
12C-15	15034E11	6 11/16"	125
12CI-15	15034E31		
12C-20	15034E10	7"	125
12CI-20/2C95	15034E1		



MYERS

TWO-STAGE CENTRIFUGAL PUMPS Myers

1, 1 1/2 and 2 HP
High Pressure
2C Series



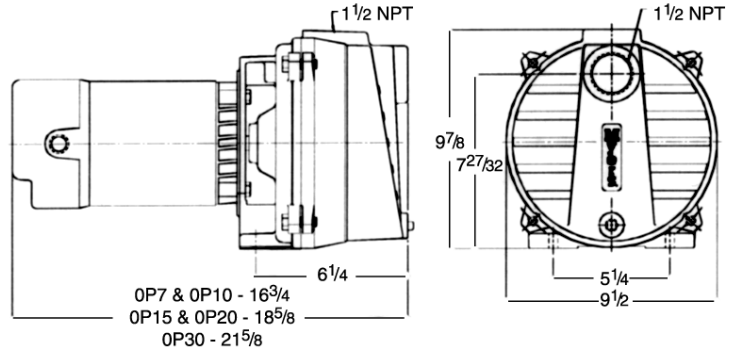
Catalog Number		Motor		Capacity - U.S. Gallons per Minute						Suction Pipe	Discharge Pipe
Complete Unit	Pump End	HP	Volts	Discharge Pressures							
				10	20	30	40	50	60		
2C100	2C100PE	1	115/230	42	37	31	23	14	-	1 1/4"	1"
2C150	2C150PE	1 1/2	115/230	45	42	39	34	27	10	1 1/4"	1"
2C200	2C200PE	2	230	47	46	44	41	35	27	1 1/4"	1"



Myers

QUICK PRIME

3/4 - 3 HP
Self-Priming Centrifugal Pump



Model Nos.		HP	Disch. Press. PSI	Capacity in G.P.H. For Discharge Pressure & Total Suction Lift Indicated			
1 Phase	3 Phase			10 Ft	15 Ft	20 Ft	25 Ft
QP7	QP7-3	3/4	20	2445	2290	2170	1995
			25	2145	2010	1855	1650
			30	1845	1635	1390	1080
			35	1295	905	510	
QP10	QP10-3	1	20	3075	2935	2785	2355
			25	2775	2610	2440	2245
			30	2430	2250	2020	1755
			35	1980	1660	1240	600
QP15	QP15-3	1 1/2	20	4300	4165	3805	3015
			25	3990	3750	3525	3015
			30	3575	3300	3035	2700
			35	3030	2620	2220	1495
QP20	QP20-3	2	20	4735	4600	4230	3330
			25	4480	4290	4020	3330
			30	4110	3815	3505	3180
			35	3510	3175	2820	2400
QP30	QP30-3	3	20	5580	5460	4920	3840
			25	5575	5460	4920	3840
			30	5390	5135	4720	3840
			35	4865	4400	3940	3420
			40	4075	3550	2910	2250
			45	2875	1800		

ADVANTAGES BY DESIGN

- Impellers are corrosion resistant for long life.
- Single and 3-phase options. NEMA standard motors.
- Sizes: 3/4, 1, 1 1/2, 2 and 3 hp.

MATERIALS OF CONSTRUCTION

- High tensile gray iron pump case and motor bracket.
- Square rubber sealing rings.
- Proven phenolic diffuser.
- Glass filled polyester and polycarbonate blend or lead-free brass impeller.
- Carbon / ceramic shaft seal.

H.P.	Pipe Sizes		Maximum Total Shutoff Hd.		1 & 3 Ø Approx. Wt. Lbs.
	Suct.	Disch.	Feet	PSI	
3/4	1 1/2"	1 1/2"	105	45.5	58
1	1 1/2"	1 1/2"	108	47	61
1 1/2	1 1/2"	1 1/2"	111	48	68
2	1 1/2"	1 1/2"	116	50	74
3	1 1/2"	1 1/2"	121	52	87

(a) Single phase units are dual voltage (115/230 v.) 2 & 3 H.P. are 230 only.
 (b) All Units are loaded within the motor service factor and are rated for continuous operation.

MYERS



5HP High Head
Self-Priming Centrifugal Pump



ADVANTAGES BY DESIGN

Powerful Performance

- Maximum head of 178 feet (77psi)
- Flow capacities to 135 gpm

Heavy Duty Motor

- Full frame 184JM design.
- Extra large, double-ball bearings.
- Non-overloading, continuous duty rating.
- Strong capacitor start.
- Single or three-phase options.

Rugged Pump Case and Motor Bracket

- High tensile cast iron

Quick Priming

- Large case for maximum water retention to insure quick and easy priming.
- True self-priming design with top suction inlet retains water in case and maintains the prime.
- Exclusive diffuser plate with stainless steel impeller wear ring for fast priming.

Mechanical Shaft Seal

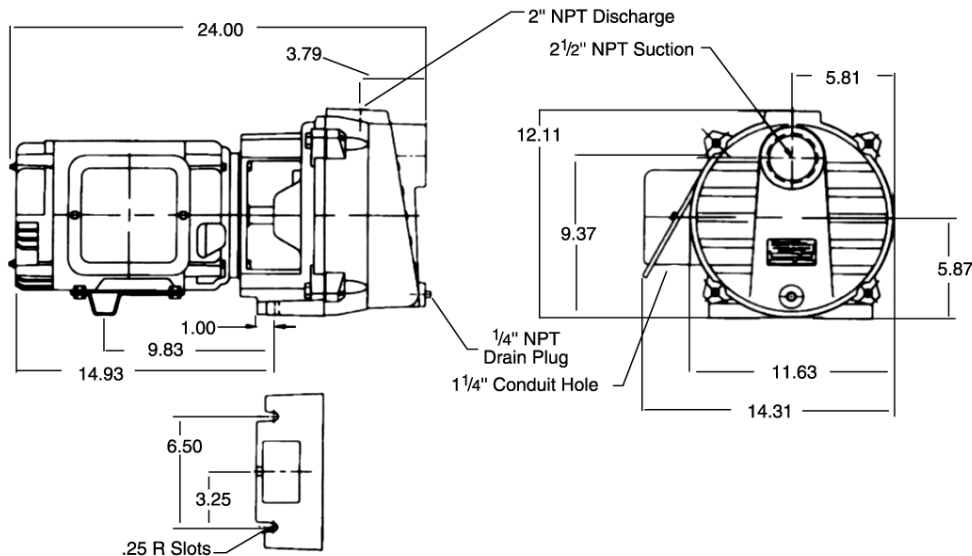
- Precision lapped and polished carbon/ceramic faces, buna elastomers, and stainless steel metal components.
- Top suction pump design prevents the seal from running dry.

Corrosion Resistant Design

- Lead-free brass impeller.
- Ceramic/glass composite diffuser with stainless steel wear ring.
- Durable enamel paint applied to inside and outside of casting.

Catalog No.	Pipe Tapping Sizes		Motor Voltage	Phase	Max. Amps	Approx. Wt. Lbs.
	Suct.	Disch				
QP50B	2 1/2"	2"	230	1	29.0	159
QP50B-3	2 1/2"	2"	207/230/460	3	13.4/13.2/6.6	125

Total Suction In Feet	Discharge Pressure (GPM)					Max. Pressure (PSI)	Pipe Size	
	10 psi	20 psi	30 psi	40 psi	50 psi		Suct.	Disch.
0	134	130	126	120	104	77	2 1/2	2
5	125	123	113	107	98	75		
10	110	108	107	103	88	72		
15	91	90	88	84	80	70		
20	67	65	63	62	40	63		





Myers

CT SERIES

High Pressure Centrifugal Pumps
 1/2 - 2 1/2 HP
 Heads to 140 Feet
 Capacities to 95 GPM

APPLICATIONS

- Booster service
- Irrigation
- Circulating
- Cooling towers
- Air conditioning
- Liquid transfer
- Sprinkling systems
- General industrial service



HP	Catalog No.		Pipe Tapping Sizes		Motor Voltage	Phase	Approx. Wt. Lbs.
	Composite Impeller	Brass Impeller	Suction (NPT)	Discharge (NPT)			
1/2	CT05	CT05B	1 1/4"	1"	115/230	1	30
	CT053	CT05B3	1 1/4"	1"	208/230/460	3	30
3/4	CT07	CT07B	1 1/4"	1"	115/230	1	32
	CT073	CT07B3	1 1/4"	1"	208/230/460	3	32
1	CT10	CT10B	1 1/4"	1"	115/230	1	35
	CT103	CT10B3	1 1/4"	1"	208/230/460	3	35
1 1/2	CT15	CT15B	1 1/4"	1"	115/230	1	40
	CT153	CT15B3	1 1/4"	1"	208/230/460	3	40
2	CT20	CT20B	1 1/2"	1 1/4"	115/230	1	57
	CT203	CT20B3	1 1/2"	1 1/4"	208/230/460	3	57
2 1/2	CT25	CT25B	2"	1 1/2"	115/230	1	62
	CT253	CT25B3	2"	1 1/2"	208/230/460	3	62

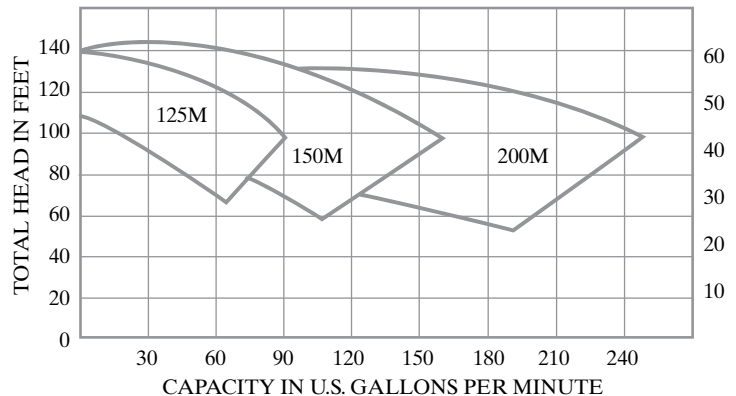
Myers

M SERIES

Centrifugal Pumps
 2 - 7 1/2 HP
 Heads to 140 feet
 Capacities to 240 GPM

APPLICATIONS

- Booster service
- Air conditioning
- Cooling towers
- Refrigeration
- Cold and hot water circulation
- Liquid transfer
- Sprinkling
- Laundry equipment
- Irrigation
- Building service
- Spraying equipment
- General industrial service



MYERS