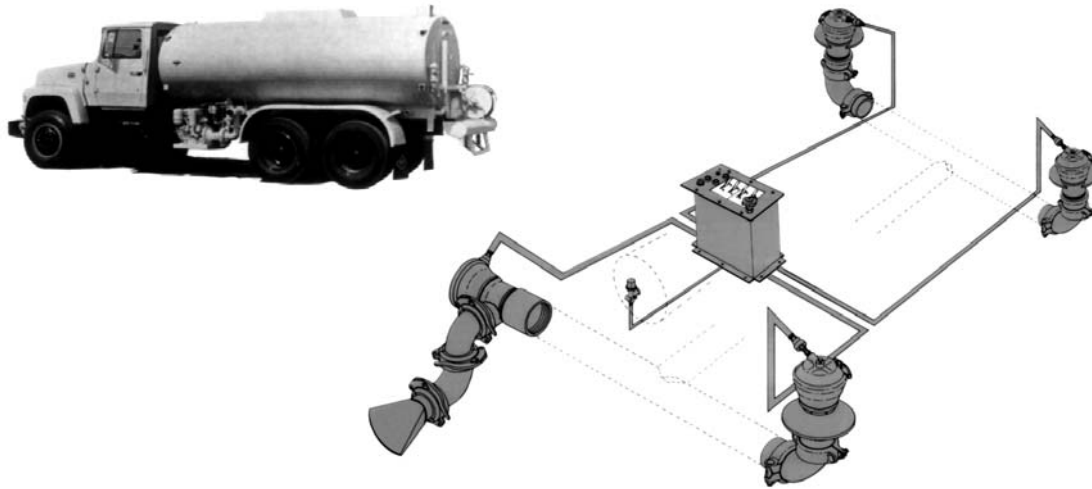


# STREET FLUSHERS

# Diamond



# CENTRIFUGAL PUMP TYPE B

# Berkeley

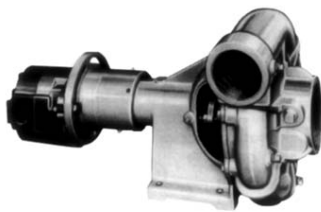
MODEL B3ZRM

MODEL B4ZKS

Ideal for mobile units, where truck hydraulic system is adequate to drive pump

- None self-priming
- 4" x 3"

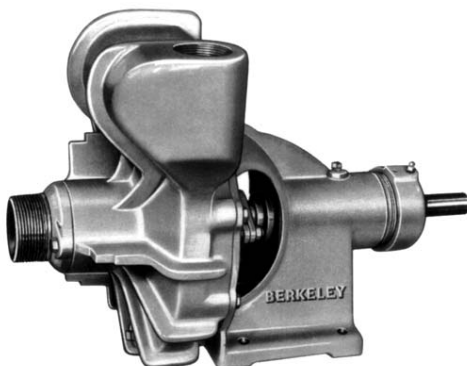
- self-priming
- 4" x 4"



Pump Model	Pump Rotation		Performance Curve	RPM Range	HP Range
	CW	CCW			
B2ZRKL	X		C - 5754	1 800 to 3 000	3 to 12
B4ZRKS	X		C - 7148	1 600 to 2 200	7 1/2 to 25
B11/2ZRM	X		C - 6323	2 600 to 3 000	6 to 12
B2ZRM	X		C - 1499	2 000 to 2 800	6 to 18
B11/2ZRM	X		C - 1500	2 200 to 3 000	10 to 35
B3ZRM	X	X	C - 2091	1 400 to 2 500	5 to 35
B6ZRL	X		C - 5568	1 800 to 2 300	20 to 45
B6ZRM		X	C - 7417	1 400 to 2 200	6 to 35
B6ZRH	X		C - 5571	1 200 to 2 000	8 to 45
B3KWRKNC	X		C - 7942	1 800 to 2 400	4 to 14



MODELS B2XRKS • B2ZRKL • B3TRKS



- Capacity range 40 to 700 gallons per minute
- Heads to 480 feet
- Horsepower range 2 to 40HP
- Speeds 1800 to 4200 RPM

### Shaft Seal

- Extra-deep stuffing box of the split-gland.

- Pumps may be motor or engine driven through couplings or belts.
- Shaft extension of pump is keyed to received coupling and/or pulleys and belts.

BERKELEY DIAMOND



## PAVEMENT CRACK ROUTER

- All units, except the 18 hp router are fitted with a Donaldson air filtering system for optimum performance.
- All engines come with convenient electric start, 12 volt battery and charging system.
- 5 - 6 gallon fuel tank available in steel or unbreakable, shatterproof, non-metallic material.
- Premium wheel assemblies with bearings and 1 1/4" axle for easy maneuverability.
- 12" diameter cutting head manufactured of 1" steel plate.
- Cutting or routing is performed by six patented carbide tipped router blades strategically located on the cutting head.
- Easy access to the cutter head for quicker blade replacement.
- Fingertip operated linear actuator switch located on the handle control panel adjusts the cutting depth to a maximum of 1 3/4".
- Depth guidance,
- Engine safety kill switch.
- Handles are adjustable to suit operator.
- Safety chain guard deflects flying debris.
- V-belt drive using optimum sized pulleys and superior grade, triple banded v-belt for exceptional v-belt life.
- Lifting eye to facilitate loading and unloading.
- Standard paint color is orange.
- Blades can be positioned on the cutting head to obtain variations of routing widths up to 2".



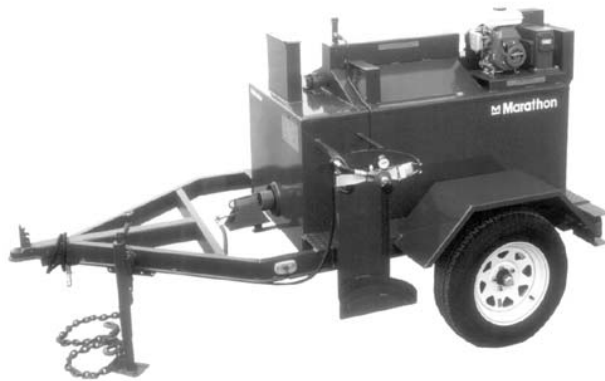
Mark IV Models					
	CR180B	CR200H	CR240H	CR2400	CR250K
<b>Weight</b>	575 lb	510 lb	520 lb	530 lb	530 lb
<b>Engine</b>	18 hp B & S	20 hp Honda	24 hp Honda	24 hp Onan	25 hp Kohler
<b>Premium Air Filtering System</b>	N/A	Optional	Optional	Standard	Standard
<b>Clutch</b>	Optional	Optional	Optional	Optional	Optional
<b>Tires, Pneumatic</b>	16" dia.	16" dia.	16" dia.	16" dia.	16" dia.

## CARBIDE TIPPED ROUTER BLADES

- With universal application on any crack routing machines.
- 4 3/4" - 6 blades per set
- 6 1/2" - 3 blades per set (for deeper cuts)
- Suitable for use with all existing makes of routers.
- Available in regular (for standard cuts), extended life (for longer wear) and milled shoulders (for wider cuts).



# COMPOUND MELTING KETTLES



## Features

- The kettle heat transfer fluid heated via a fire chamber, providing indirect heating to the material while constantly being agitated.
- 2.5 hp Honda engine.
- 2" pouring spout.
- Single 300 000 Btu vapour propane burner with automatic safety shut-off valve, reduces fuel consumption.
- 10 ft propane hose comes with regulator and pressure gauge.
- Wrap around heat design ensures even heat and utilises a greater amount of the Btu input.
- Unit is insulated for safety and fuel economy.
- Heat transfer oil filler hole with screw cap and dipstick.
- Thermometers for both oil and material temperature readings.
- Full sweep mechanical agitation.
- Exterior agitator bearings for easier maintenance.
- Anti-splash lid.
- Standard paint color is blue.

## Options

- Four 8" caster wheels for easy maneuverability.
- 100 lb propane bottle holder
- Automatic temperature control.
- Hand held propane torch.
- Fire extinguisher with bracket.
- Electric breakaway switch with battery.

	UCMK65S (skid mounted)	UCMK65T (with trailer)
<b>Shipping weight :</b>	1 350 lb	1 950 lb
<b>Overall length :</b>	61 3/4"	116"
<b>Overall width :</b>	34 1/2"	71"
<b>Overall height :</b>	50"	60"
<b>Loading height :</b>	38"	49"
<b>Material capacity :</b>	65 gal	65 gal
<b>Material spout height :</b>	21"	28 1/2"
<b>Heat transfer oil - capacity :</b>	15.7 gal	15.7 gal
<b>Burner - vapour propane :</b>	One 300 000 Btu	One 300 000 Btu
<b>Tires - size :</b>	N/A	(2) 225/75R15
<b>Axles - capacity :</b>	N/A	Drop centre 3 500 lb
<b>100 lb propane bottle holder :</b>	Optional	Standard

# RANDOM CONCRETE ROUTER

Model RCR 24



## Features

- Engine is fitted with a Donaldson air filtering system for optimum performance.
- Fingertip operated linear actuator switch for changes in the cutting depth.
- Convenient depth control gauge and pointer.
- The cutting blade is centrally aligned to achieve maximum cutting control.
- Machine is pulled during the routing operation allowing the operator to better follow meandering cracks.
- Adjustable, two position handle frame to better suit operator.
- Large 16" diameter treaded pneumatic tires reduce rolling resistance.
- Water attachment reduces dust during routing operation.
- Dependable 2 cylinder, air cooled 24hp Onan engine with electric start and gauges.
- Standard paint color is orange

## RCR 24

<b>Weight</b>	525 lb
<b>Engine</b>	24 hp Onan
<b>Fuel Tank</b>	5 gal
<b>Drive Belt</b>	4 grooves, grip notch powerband
<b>Bearings</b>	Heavy duty 1 7/16" dia. sealed flange ball bearing units on blade shaft.
<b>Control Switch</b>	20 amp, double pole, double throw, double momentary on, rocker type.
<b>Cutting Depth Control</b>	Electric linear actuator - 12 volt.
<b>Battery</b>	12 volt
<b>Blade</b>	High concentration diamond blade specially formulated for dry cutting. Standard blade dimensions 8" diameter x 1/2" wide. Other sizes available.
<b>Routing capacity</b>	Up to 3/4" wide x 1 7/16" deep.

ASYBCO



# COMPOUND MELTING GRAVITY FEED KETTLES

## Waterproofing & Crack Filling



UCMK 145DT  
UCMK 245DT  
UCMK 400DT

UCMK 145  
UCMK 245  
UCMK 400



### Features

- 2" pouring spout.
- Diesel burner.
- Automatic temperature control.
- Units are insulated for safety and fuel economy.
- Thermometers for both oil and material temperature readings.
- Hydraulically driven mechanical agitation.
- Exterior bearings for easier maintenance.
- Electric brakes.
- Anti-splash lid.
- Adjustable hitch with 2 3/4" pintle eye.
- 3/8" x 4' trailer safety chains.
- Standard paint color is blue.

### Options

- Strobe light
- Hand held propane torch.
- Fire extinguisher with bracket.
- Electric breakaway switch with battery.
- Overnight heater.
- 3" pouring spout.
- Customers choice of paint color.

### Features

The heat transfer system consists of the oil vat and the oil expansion reservoir. As the transfer fluid is heated, the material is provided with an indirect heating source.

- 2" pouring spout
- 410 000 Btu vapour propane burner(s) with automatic safety shut-off valve, reduces fuel consumption.
- Units are insulated for safety and fuel economy.
- Thermometers for both oil and material temperature readings.
- Full sweep mechanical agitation.
- Exterior agitator bearings for easier maintenance.
- Electric brakes.
- Anti-splash lid.
- Adjustable hitch with 2 3/4" pintle eye.
- 3/8" x 4' trailer safety chains.
- Standard paint colour is blue.

### Options

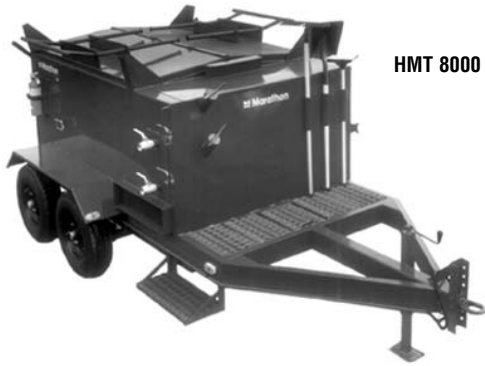
- Diesel Kubota engine with 320 000 Btu diesel burner and hydraulic agitation.
- Vapour propane engine.
- 500 000 Btu liquid propane burner.
- Automatic temperature control.
- Skid mounted, no chassis.
- Full sweep agitation.
- Hand held propane torch.
- Fire extinguisher with bracket.
- Electric breakaway switch with battery.
- Overnight heater.
- 3" pouring spout.

	UCMK145DT	UCMK245DT	UCMK400DT
<b>Shipping weight :</b>	2 300 lb	2 900 lb	3 800 lb
<b>Overall length :</b>	148"	158"	182"
<b>Overall width :</b>	80"	80"	80"
<b>Overall height :</b>	56"	60"	64"
<b>Loading height :</b>	47"	52"	56"
<b>Material capacity :</b>	145 gal.	245 gal.	370 gal.
<b>Heat transfer oil - capacity :</b>	28 gal.	35 gal.	55 gal.
<b>Engine - diesel (Kubota) :</b>	6 hp	6 hp	6 hp
<b>Tires - size :</b>	(2) 225/75R15	(4) 8" x 14.5" 10 ply	(4) 8" x 14.5" 10 ply
<b>Axles :</b>	Drop centre	Tandem	Tandem
<b>Capacity :</b>	7 000 lb	1 2000 lb	12 000 lb
<b>Burners - diesel :</b>	One 280 000 Btu	One 320 000 Btu	Two 320 000 Btu

	UCMK145	UCMK245	UCMK400
<b>Shipping weight :</b>	1 950 lb	2 500 lb	3 300 lb
<b>Overall length :</b>	121"	138"	164"
<b>Overall width :</b>	80"	80"	80"
<b>Overall height :</b>	56"	60"	64"
<b>Loading height :</b>	47"	52"	54"
<b>Material capacity :</b>	145 gal.	245 gal.	370 gal.
<b>Heat transfer oil - capacity :</b>	28 gal.	35 gal.	55 gal.
<b>Engine (Honda) :</b>	5.5 hp	5.5 hp	5.5 hp
<b>Tires - size :</b>	(2) 225/75R15	(2) 8" x 14.5" 10 ply	(4) 8" x 14.5" 10 ply
<b>Axles :</b>	Drop centre	Drop centre	Heavy duty Tandem
<b>Capacity :</b>	3 500 lb	6 000 lb	12 000 lb
<b>Burners - vapour propane :</b>	One 410 000 Btu	One 410 000 Btu	Two 410 000 Btu

ASYBCO

# HOT MIX INSULATED TRANSPORTER



**HMT 8000**

## Features

- Industrial axles complete with leaf spring suspension and electric brakes (lead axle only on the 8000).
- Adjustable hitch complete with 2 3/4" pintle eye and safety chains.
- Heavy duty screw type swivel jack leg.
- Fully insulated compartments including loading and unloading doors to minimize heat loss.
- Two 36-gallon tack tanks come with draw off valves for grater convenience.
- Loading doors are supplied with telescoping handles to allow doors to be easily opened while at the same time forming a chute to assist in the placing of material in the hot mix chamber.
- The 8000 is hopper shaped for easy unloading.
- Heated shovelling platform.
- Vapour burner with baso safety valve.
- Rear mounted material thermometer for convenient material temperature reading.
- Height adjustable unloading doors (8000) discharge the desired amount of hot mix on to the shovel platform.
- Three tool holders
- Standard paint color is blue.

## Options

- Hand held propane torch for eliminating road moisture.
- Skid mounted, no chassis.
- Heat grid to better heat cold mix asphalt.
- Automatic temperature control.
- Auxiliary electric heater for keeping unused mix warm overnight.
- Hydraulic surge type brakes in place of electric.
- Electric breakaway switch with battery.
- Fire extinguisher with mounting bracket.
- Power tack sprayer.

<b>HMT8000</b>	
<b>Shipping weight :</b>	3 600 lb
<b>Capacities :</b> - Hot Mix Chamber	8 500 lb
- Tack Tanks	Two 36 gal
<b>Dimension :</b>	3 cubic yards
Tool chamber :	Height: 8"      Width: 24"      Length: 65"
Hopper opening :	Width: 82"      Length: 93"
Unloading doors (each) :	Height: 18"      Width: 17"
<b>Burner - Vapour propane :</b>	One 410 000 Btu
<b>Vat insulation :</b>	2" Fiberglass
<b>Brakes :</b>	Electric
<b>Suspension</b>	
<b>Axle :</b>	Heavy-duty tandem
<b>Capacity :</b>	14 000 lb
<b>Tires :</b>	(2) 8 x 14.5" 10 ply



**HMT 4000**

## Features

- Industrial axle complete with leaf spring suspension and electric brakes.
- Adjustable hitch complete with 2 3/4" pintle eye and safety chains.
- Heavy duty screw type swivel jack leg.
- Material thermometer.
- Fully insulated hopper and loading doors to minimize heat loss.
- Heated shovelling platform.
- Hopper shaped for easy unloading.
- Rear mounted material thermometer for convenient material temperature reading.
- Single propane bottle holder mounted to the main frame.
- Two tool holders conveniently located near the unloading door.
- All necessary stop and directional signal lights with 6-pole trailer connection.
- Standard paint color is blue.

## Options

- Hand held propane torch for eliminating road moisture.
- Automatic temperature control.
- Hydraulic surge type brakes in place of electric.
- Skid mounted, no chassis.
- Electric breakaway switch with battery.
- Fire extinguisher with mounting bracket.
- Tack tank.
- Heat grid to better heat cold mix asphalt.
- Dip well for cleaning small tools.

<b>HMT4000</b>	
<b>Shipping weight :</b>	1 700 lb
<b>Capacities :</b> - hot mix chamber	4 000 lb
	2 ton
<b>Dimension :</b>	
Hopper Opening	Width: 50"      Length: 69"
Unloading door opening	Height: 17"      Width: 22"
Shovelling platform	Width: 22"      Depth: 26"
	Height from ground: 25.5"
<b>Burner - Vapour propane :</b>	One 100 000 Btu with automatic safety shut-off valve.
<b>Vat insulation :</b>	1 1/2" Fiberglass
<b>Brakes :</b>	Electric
<b>Suspension :</b>	
<b>Axle :</b>	Single
<b>Capacity :</b>	6 000 lb
<b>Tires :</b>	(2) 8 x 14.5" 12 ply

ASYBCO



## COLD TACK SPRAYER

PES 200

### Features

PES 200

- 210 or 250 gal. capacity.
- 5.5 hp Honda engine.
- 10 gallon per minute pump.
- Spray wand comes with 50' hose & tip.
- Unit dimensions 46" h x 42" w x 61" l.
- Fulflo relief valve.
- 4" diameter filling hole.
- 1" drain pipe located under tank.
- 10-gallon flushing tank with all necessary valves and plumbing mounted onto the unit and connected into the pumping system for quick and easy cleaning.

### Options

- Remote suction.
- 9 hp Honda engine with 18 gpm pumping system.
- Hose reel.
- Trailer mounted for road transport.
- 10" diameter top filling manhole lid assembly.



## TUBE-FIRED HOT TACK SPRAYERS

TPS 210 - TPS 250 - TPS 300

### Features

TPS 210 - TPS 250 - TPS 300

- 1 1/2" draincock conveniently located at rear of machine.
- Material temperature thermometer, 50°F to 550°F with protective guard and located at the front of the unit for easy view by the operator.
- Wide track industrial axle with leaf spring.
- 4" diameter filler hole with screw type lid.
- Asphalt gear pump with a capacity of 10 gallons per minute.
- Heavy-duty adjustable external relief valve to obtain desired spraying pressure and volume.
- Direct drive system complete with coupler guard.
- Flushing tank for easy and convenient cleanout.
- 5 ft hand held spray wand with quarter turn control valve, spray nozzle and 40 feet of hi-pressure hose.
- Adjustable hitch comes with 2 3/4" pintle.
- Exhaust stacks equipped with rain covers.
- Two 50 000 Btu propane burners.
- Electric brakes.
- Adjustable swivel jack leg.
- 5.5 Honda engine.
- 3/8" x 4' trailer safety chains.
- Standard paint color is blue.

### Options

- 9 hp Honda engine with 18 gallons per minute pump.
- 6 ft or 8 ft spray bar (9 hp Honda engine and 18 gpm pumping system recommended).
- Electric breakaway switch with battery.
- 10" diameter top filling manhole assembly.
- 2" adjustable ball hitch.
- Automatic temperature control.
- Fire extinguisher with mounting bracket.
- Hose reel.
- 200 000 Btu hand held propane torch.
- Air operated cab controlled spray bar assembly.
- Asphalt rate meter for accurate material coverage.



	TPS210	TPS250	TPS300
<b>Shipping weight :</b>	1 700 lb	1 750 lb	1 900 lb
<b>Dimensions :</b>			
Overall length	106"	115"	125"
Overall width	72"	72"	72"
Loading height	46"	46"	46"
<b>Capacity :</b>	210 gal.	250 gal.	300 gal.
<b>Engine (Honda) :</b>	5.5 hp	5.5 hp	5.5 hp
<b>Pump :</b>	10 gpm	10 gpm	10 gpm
<b>Burners - vapour propane :</b>	Two 50 000 Btu	Two 50 000 Btu	Two 50 000 Btu
<b>Suspension :</b>			
Axle :	Single	Single	Single
Capacity :	3 500 lb	3 500 lb	6 000 lb
<b>Tires (2) :</b>	225/75R15	225/75R15	8" x 14.5 12 ply

ASYBCO

# UNDERFIRED HOT TACK SPRAYERS

UPS100 - UPS200 - UPS300



ASBYCO

## Features

## UPS100 - UPS200 - UPS300

UPS road maintenance kettles provide a fast and economical means of heating liquid and emulsified asphalt for highway and street repairs. Tube fired or under-fired models are available.

- 2" draincock conveniently located at rear of the unit.
- Material temperature thermometer, 50°F to 550°F with protective guard and located at the rear of the unit for easy view by the operator.
- Wide track industrial axle(s) with leaf spring.
- Asphalt gear pump with a capacity of 10 gal.ons per minute.
- Heavy-duty adjustable external relief valve to obtain desired spraying pressure and volume.
- Direct drive system complete with coupler guard.
- 10-gal.ion flushing tank connected into the pumping system.
- Loading through 10" diameter filler lid.
- 18" manhole lid provides access for easy cleaning.
- Hand held spray wand with quarter turn control valve, spray nozzle and 50 feet (15.2 meters) of hi-pressure hose.
- Adjustable hitch comes with 2 3/4" pintle eye.
- Exhaust stack(s) equipped with rain covers.
- Standard paint color is blue.
- Electric brakes.
- 5.5 hp Honda engine.
- Adjustable swivel jack leg.
- 3/8" x 4' trailer safety chains.
- Propane tank holder for 100 lb cylinder.

## Options

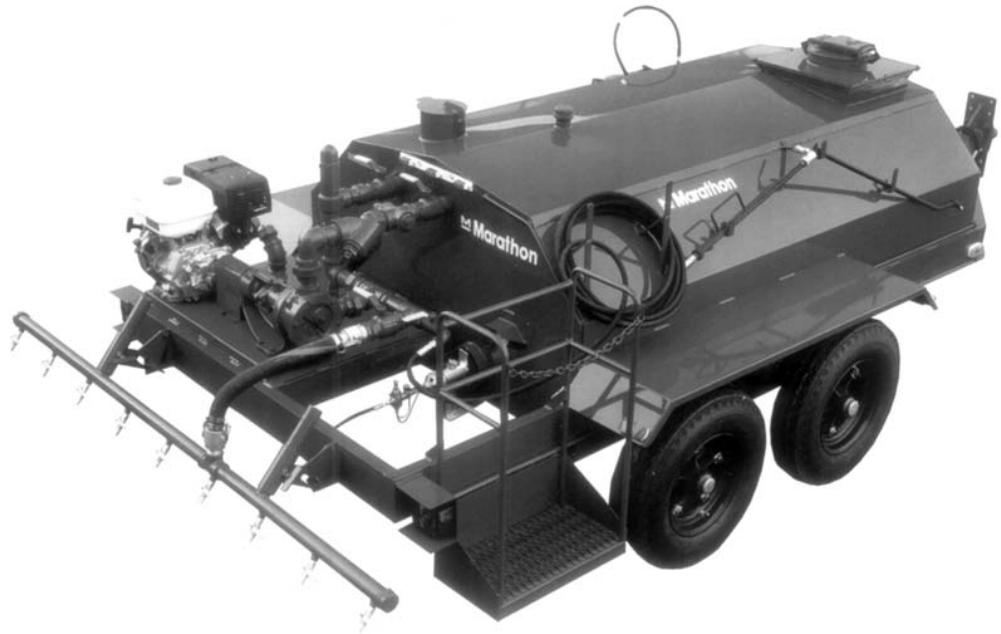
- 9 hp Honda engine with 18 gpm pump.
- Electric breakaway switch with battery.
- 2" adjustable ball hitch.
- Fire extinguisher with mounting bracket.
- Hose reel.
- Automatic temperature control.
- Hand held propane torch.
- Electric brakes (UPS100).
- Hydraulic surge brakes.
- Caster wheel on jack leg.

	UPS100	UPS200	UPS300
<b>Shipping weight :</b>	1150 lb	1500 lb	2160 lb
<b>Capacities :</b>			
Maximums :	108 gal.	220 gal.	325 gal.
Usable :	100 gal.	200 gal.	300 gal.
<b>Pump :</b>	--- 10 gpm ( 40 L/m) ---		
<b>Vat insulation :</b>	All UPS models are insulated with 2" of fiberglass and 1 1/2" of 2400°F heat resistant, high density insulation.		
<b>Burners - vapour propane :</b>	One 410 000 Btu	One 410 000 Btu	One 410 000 Btu
<b>Suspension</b>			
Axle :	Single	Single	Single
Capacity :	3 500 lb	6 000 lb	6 000 lb
<b>Tires (2) :</b>	G78/15	7x14.5 10 ply	7 x14.5 10 ply
<b>Brakes :</b>	No	Yes	Yes



# TUBE-FIRED HOT TACK DISTRIBUTORS

LD 600 - LD 1000



## Features

- Surge plates for safer towing.
- Industrial tandem axle c/w leaf spring suspension.
- Electric brakes (lead axle).
- Welded propane bottle holder with hold down straps.
- 1" material drain plug.
- 5.5hp honda engine with 10 gpm pump.
- Hand held spray wand with shut-off valve and 50' of hose (operating temperature 200°F)
- Multi-purpose pumping system.
- Manhole for top filling and easy access for cleaning.
- 20-gallon flushing tank for easy cleanout.
- Fully insulated vat.
- Economical single burner, double pass, tube heating system.
- Material thermometer.
- Adjustable hitch comes with 2 3/4" pintle eye.
- 3/8" x 4' trailer safety chains.
- Tongue jack for height adjustment.
- Standard paint color is blue.

## Options

- 18 gpm, 60 gpm or 80 gpm pumps.
- Skid mounted - no chassis.
- Vapour propane pump engine.
- Hydraulic surge brakes.
- Automatic temperature control.
- Spray bars in lengths of 8 ft to 12 ft.
- Hydraulic pumping system.
- Air operated cab controlled spray bar assembly.
- Asphalt rate meter for accurate material coverage.
- Spray bar operators platform.
- Valve and piping for refilling from drums.
- Fire extinguisher with mounting bracket.
- Hose reel.

	LD600	LD1000
<b>Shipping weight :</b>	2 950 lb	3 900 lb
<b>Operating Weight :</b>	7 300 lb	10 850 lb
<b>Capacities - Maximums :</b>	585 gal	1000 gal
<b>Pump :</b>	10 gpm	10 gpm
<b>Engine :</b> (optional vapour propane conversion kit available)	5.5 hp Honda	5.5 hp Honda
<b>Vat Insulation :</b>	2"	2"
<b>Burners - vapour propane</b>	One 410 000 Btu	One 410 000 Btu
<b>Brakes - Drum</b>	Electric 2" x 12"	Electric 2" x 2"
<b>Suspension</b>		
Springs	Leaf	Leaf
Axle	H/D tandem	H/D tandem
Capacities	12 000 lb	14 000 lb
<b>Tires</b>	(4) 8 x 14.5	(4) 9 x 14.5
<b>Spray wand hoses</b>		
Max. operating temp.	200°F	200°F

ASYBCO



# CRACK FILLER APPLICATORS



Portable sealcoat  
DPS5 - DPS9



### Features

- 6 ft. suction hose with 40" steel pipe.
- Air-driven dual diaphragm material pump.
- Material pump automatically shifts to neutral when spray wand is shut off allowing greater efficiency.
- Surge tank stops pulsation to allow even spray patterns

### Options

- 210-gallon, non agitated tank for cold-pour crack fillers.
- 1 1/2" Sandpiper air-operated dual diaphragm material pump available on DPS9 only.

	DPS5 (cold-pour crack filler)	DPS9 (coal tar with sand, primer, latex, cold-pour crack filler)
<b>Shipping weight :</b>	225 lb	280 lb
<b>Overall Length :</b>	66"	64"
<b>Overall Width :</b>	23"	24"
<b>Overall Height :</b>	29"	29"
<b>Material Pump :</b>	-- 1" discharge, air-operated dual diaphragm --	
<b>Air Compressor Pump :</b>	8.1 scfm, 100 psi	15.5 scfm, 100 psi (max 150 psi)
<b>Air Compressor Engine :</b>	5.5 hp Honda	9 hp Honda
<b>Spray Hose &amp; Wand :</b>	-- Spray wand with shut-off valve and spray tip -- with 30 ft. spray hose / with 75 ft. spray hose	
<b>Basket Strainer Filtration System :</b>	optional	standard
<b>Surge Tank :</b>	optional	standard

# 300-GALLON SEALCOAT APPLICATOR

Coal tar Sealer with Sand  
DPS300T



### Features

- 5" channel frame construction.
- Air-driven dual diaphragm material pump.
- Material pump automatically shifts to neutral when spray wand is shut off allowing greater efficiency.
- Hand controlled full sweep agitation.
- 75 ft. spray hose and wand.
- Mounted storage brackets for spray hose and wand.
- Surge tank stops pulsation to allow even spray patterns.
- 2" gravity flow drain.
- Anti-splash lid.
- Basket strainer filtration system reduces tip clogging.
- Adjustable tow eye.
- 3/8" x 4" trailer safety chains.
- All necessary stop and directional signal lights.
- Standard paint color is blue.

### Options

- Skid mounted, no chassis.
- Heavy-duty air compressor, two-stage pump with 30-gallon tank and 11 hp Honda engine.
- Hydraulically driven, full sweep, forward and reverse agitation.
- Spray bar assembly.
- 30-gallon water tank.
- 2 5/16" adjustable ball hitch.
- 1 1/2" Sandpiper air-operated dual diaphragm pump.
- Storage / mixing systems are also available in capacities up to 6000 gallons.

	DPS300T
<b>Shipping weight :</b>	2 600 lb
<b>Overall Length :</b>	142"
<b>Overall Width :</b>	79"
<b>Overall Height :</b>	60"
<b>Material Tank Capacity :</b>	300 gal
<b>Material Agitation :</b>	Hand controlled full sweep, two blades.
<b>Material Pump :</b>	1" Sandpiper air-operated dual diaphragm
<b>Air Compressor Pump :</b>	Two-stage, tank mounted
<b>Air Compressor Engine :</b>	9 hp Honda
<b>Air Compressor Tank :</b>	9 gal
<b>Brakes :</b>	Electric
<b>Tires - Size :</b>	(4) 225/75R15
<b>Axles - Capacity :</b>	Heavy-duty tandem 7 000 lb

ASYBCO



ASYBCO

## 550 GALLON SEALCOAT APPLICATOR

DPS550



### Features

- Air-driven dual diaphragm material pump.
- Material pump automatically shifts to neutral when spray wand is shut off allowing greater efficiency.
- Hydraulically driven, full sweep, forward and reverse agitation.
- 100 ft. spray hose and wand.
- Mounted storage brackets for spray hose and wand.
- Surge tank stops pulsation to allow even spray patterns.
- 2" gravity flow drain.
- Anti-splash lid.
- Basket strainer filtration system reduces tip clogging.
- Adjustable tow eye.
- 3/8" x 4' trailer safety chains.
- All necessary stop and directional signal lights.
- Standard paint color is blue.

### Options

- Skid mounted, no chassis.
- Heavy-duty air compressor, two stage pump with 11 hp Honda engine.
- Spray bar assembly with six tips.
- 30 gallon water tank.
- 2 5/16" adjustable ball hitch.

DPS550	
<b>Shipping weight :</b>	3300 lb
<b>Overall Length :</b>	206"
<b>Overall Width :</b>	79"
<b>Overall Height :</b>	72"
<b>Material Tank Capacity :</b>	550 gal
<b>Material Agitation :</b>	Hydraulically controlled full sweep, three blades.
<b>Material Pump :</b>	1 1/2" Sandpiper air-operated dual diaphragm.
<b>Air Compressor Pump :</b>	Two-stage, tank mounted.
<b>Air Compressor Engine:</b>	9 hp Honda
<b>Air Compressor Tank :</b>	30 gal
<b>Brakes :</b>	Electric
<b>Tires - Size :</b>	(4) 8 x 14.5 10 ply
<b>Axles - Capacity :</b>	Heavy-duty tandem 12 000 lb.

## NON-HEATED POWER ASPHALT SPRAYER

PAS200

### Features

- 5.5 hp Honda engine
- 10-gallons per minute pump.
- Spray wand comes with 100' hose & tip.
- Unit dimensions 46" H x 42" W x 48" L.
- Fulflo relief valve.
- 4" diameter filling hole.
- 1" drain pipe located under tank.
- Driveway sealer material such as Gilsonite, asphalt cut-back, solvent based sealers, foundation coatings and concrete primers.

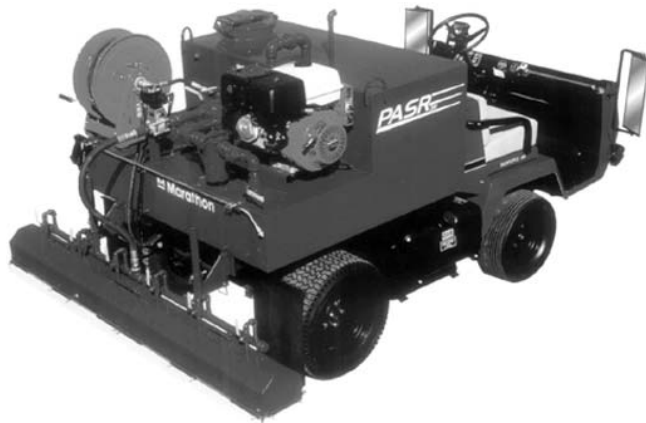
### Options

- Heated tank available.
- 9 hp Honda engine with 18 gpm pumping system.
- Hose reel.
- Trailer mounted for road transport.
- 10" diameter top filling manhole lid assembly.



# RIDE-ON POWER ASPHALT SPRAYERS

PAS200R-R - PAS200R-C



## Features

Rejuvenating sealers and asphalt cut-backs. The material tank will hold up to 180 gallons and the rear spray bar is easily activated by a finger-tip controlled toggle switch mounted on the drivers console.

- 10" diameter lid assembly is provided for quick and easy filling.
- Relief valve provided to set and adjust pressure.
- Thermometer for material temperature reading.
- Fully enclosed and adjustable spray bar system.
- 1 1/2" basket strainer filtration system.
- 1 1/2" drain spout mounted on the side of tank for filling pails.
- Material thermometer conveniently located on tank.
- Each spray nozzle comes with a shut-off valve allowing flexibility with spray pattern positioning.
- Side-view mirrors are effectively positioned on the cab for driver's guidance.
- Finger-tip controlled toggle switch is mounted on the driver's console for activating the spray bar system.
- Digitally displayed speed control allows consistent and even ground coverage. Maximum speed 16 mph.
- Standard paint color is blue.

## Options

- 24" wheeled curb edger with 2 tips.

## Optional Truck Mounted Unit

- 300, 550 and 1000 gallons capacities.
- Heated tank.
- Low cruise control for truck mounted units to maintain precise ground speed.
- Spray bars up to 12 ft. for truck mounted units.

	PAS200R-R (for rejuvenating sealers)	PAS200R-C (for asphalt cutbark, Gilsonite, etc.)
<b>Shipping Weight :</b>	1 580 lb	1 580 lb
<b>Dimensions :</b> Unit without spray bar:		
<b>Overall Length :</b>	122"	122"
<b>Overall Width :</b>	66"	66"
<b>Overall Height :</b>	60"	60"
<b>Spray bar (varies) Length :</b>	88" and up	86" and up
<b>Tank and Spraying System</b>		
<b>Capacities :</b>		
<b>Loading height :</b>	53"	53"
<b>Material tank :</b>	186 gal.	186 gal.
<b>Flushing tank :</b>	6 gal.	N/A
<b>Engine :</b>	11 hp Honda	11 hp Honda
<b>Pump :</b>	18 gpm	18 gpm
<b>Spray Wand Assembly :</b>	Optional	4 ft hand held wand with spray gun and shut-off valve, 75 ft hose and hose reel.
<b>Spray Bar Assembly :</b>	Air operated	Air operated
<b>Hose Reel :</b>	Optional	Standard
<b>Ride-On Vehicle</b>		
<b>Engine :</b>	18 hp Kohler	
<b>Drive System :</b>	4 speed transmission and 8" clutch.	
<b>Suspension :</b>	Heavy-duty multi-leaf rear suspension and captive multi-leaf springs, dual shocks front suspension.	
<b>Fuel Capacity :</b>	8 gallons	
<b>Brakes :</b>	4 wheel hydraulic drum brakes.	
<b>Electrical :</b>	12 volt battery, 25 amp, 12 volt electric neutral start, twin halogen headlights.	
<b>Body :</b>	Fiberglass cowl, fenders and hood.	
<b>Steering :</b>	Front wheel power steering; automotive type 14" steering wheel.	
<b>Main Frame :</b>	Welded tubular steel frame construction, mid-engine placement.	
<b>Drive Controls :</b>	Foot operated accelerator, clutch and brake pedals; shift lever with H-shift pattern.	

ASYBCO



# ASYBCO

## DIRECT-FIRED MELTERS



### 60-Gallon Melter

A 2.5 hp Honda engine powers the agitation and a double headed 80 000 Btu propane burner provides the heat. The unit is also equipped with a material thermometer, propane hose with regulator and 1 1/2" draw-off valve.

**Dimensions :** 56" L x 35" W x 43" H  
**Weight :** 380 lb.



### 10-Gallon Melter

This propane fired melter is equipped with a hand agitator, temperature gauge, propane burner, hose and regulator, bottle holder, hinged lid, lifting handles and draw-off valve.

**Dimensions :** 40" L x 29" W x 33" H  
**Weight :** 102 lb.



### 30-Gallon Melter

This unit can provide hot material in 30 minutes or less and is equipped with a draw-off valve, hand agitator, temperature gauge, hinged lid, lifting handles, propane burner, hose and regulator.

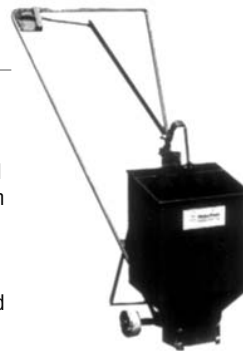
**Dimensions :** 49" L x 23" W x 37" H  
**Weight :** 185 lb.

### 10-Gallon Direct-Fired Melter & Applicators



Everything you need to do quality crack sealing but the sealant and propane bottle. The fastest and most efficient method for the application of hot applied crack sealants. Propane fired burner with hose and regulator. Capable of melting and applying material. The 10-gallon melter/applicator is mounted on steel wheels and is equipped with loaded hand control release valve, hand agitator, temperature gauge and steel shoe for striking off sealant in a uniform width.

**Dimensions :** 47"L x 27"W x 36"H  
**Weight** 125 lb.



### 4-Gallon Wheeled Pour Pot

This pull style wheeled pour pot eliminates back strain. Provides a material band width of 3' and has an adjustable depth screed.

### 8-Gallon DQ Bander



This push style wheeled bander is productive and easy to use. 13 1/2" diameter steel wheels easily follow meandering cracks. Equipped with a loaded hand control release valve and steel strike-off shoe to provide a 2 3/8" band width. Also available with a heat jacket to maintain the product temperature.

### 3 1/2-Gallon Pouring Cone



An easy and convenient way to apply hot rubber to random cracks or joints. Allows crew to get into tight places and close to curbs. Fill the cone, lift the plunger and follow the cracks. Available with 1" or 3/4" spout.

**Weight** 12 lb.